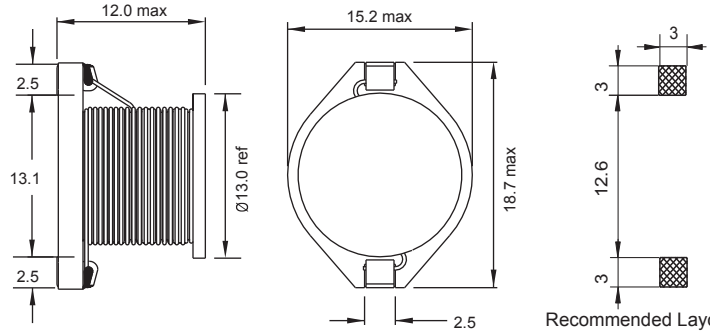
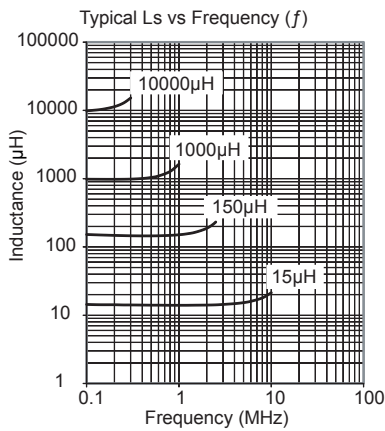


PISTHV

For High Voltages up to 400V DC



Recommended Layout for solder pads



Part No	Inductance	f_L	Tol	SRF	DCR	Rated DC Current (A)	
	L (µH)	(kHz)	± (%)	min (MHz)	max (Ω)	I_{sat}	$I_{\Delta T=40^\circ C}$
PISTHV-150M-04	15	100/0.1V	20	11.35	0.034	7.85	4.9
PISTHV-820M-04	82	100/0.1V	20	4.09	0.104	3.95	2.5
PISTHV-151M-04	150	100/0.1V	20	4.0	0.20	2.87	1.9
PISTHV-301M-04	300	100/0.1V	20	2.0	0.39	2.10	1.2
PISTHV-681M-04	680	100/0.1V	20	1.35	0.77	1.40	0.8
PISTHV-102M-04	1000	100/0.1V	20	1.20	1.20	1.17	0.65
PISTHV-472M-04	4700	100/0.1V	20	0.55	5.20	0.65	0.3
PISTHV-602M-04	6000	100/0.1V	20	0.48	6.70	0.60	0.26
PISTHV-802M-04	8000	100/0.1V	20	0.41	8.64	0.56	0.24
PISTHV-103M-04	10000	100/0.1V	20	0.40	10.5	0.39	0.21

Revision date : 05 Sept 2014

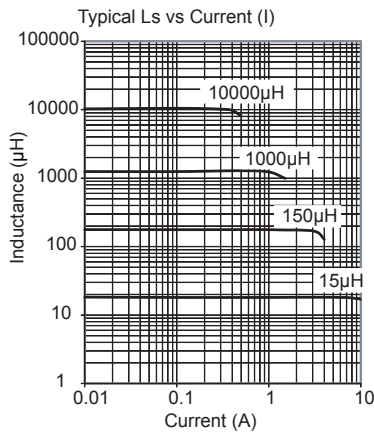
Core Material :

Ferrite, Plastic moulded base.

Terminal clip with lead-free tinned surface for SMT-Reflow soldering.

SPQ : Taped / Reel 200 [-04]

Remarks : I_{sat} & $I_{\Delta T}$ - see description in inductors Technical Data.



SMD Power Inductors